

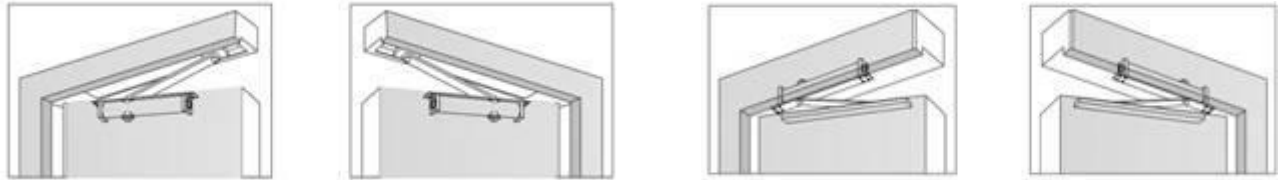
D70A SERIES Concealed Cam Action Size 2-4 Door Closers



STANDARD FEATURES

- **Certification:** UL Listed
- **Spring Power:** Adjustable Size 2-4
- **Durability:** 500,000 cycles above
- **Function:** Adjustable Closing speed
Adjustable Latching speed
- **Installation type:** Concealed with sliding track arm
- **Type:** Embedded
- **Max. Opening:** 120 °
- **Pressure relief valve:** Yes
- **Mechanism:** Cam action
- **Hand of door:** Non handed
- **Materials of Body:** Aluminum
- **Materials of guide rail and Main Arm:** 6061, Steel
- **Materials of Spring :** 60Si2Mn
- **Backcheck:** NO
- **Delayed Action:** NO
- **Bearing:** Full complement bearings for long durability
- **Product Description:** Efficient cam and roller design
- **Finish:** Silver, Brown, White,Black, Others upon request.
- **Warranty:** 5 Years
- **Cross reference** DORMA TS 96

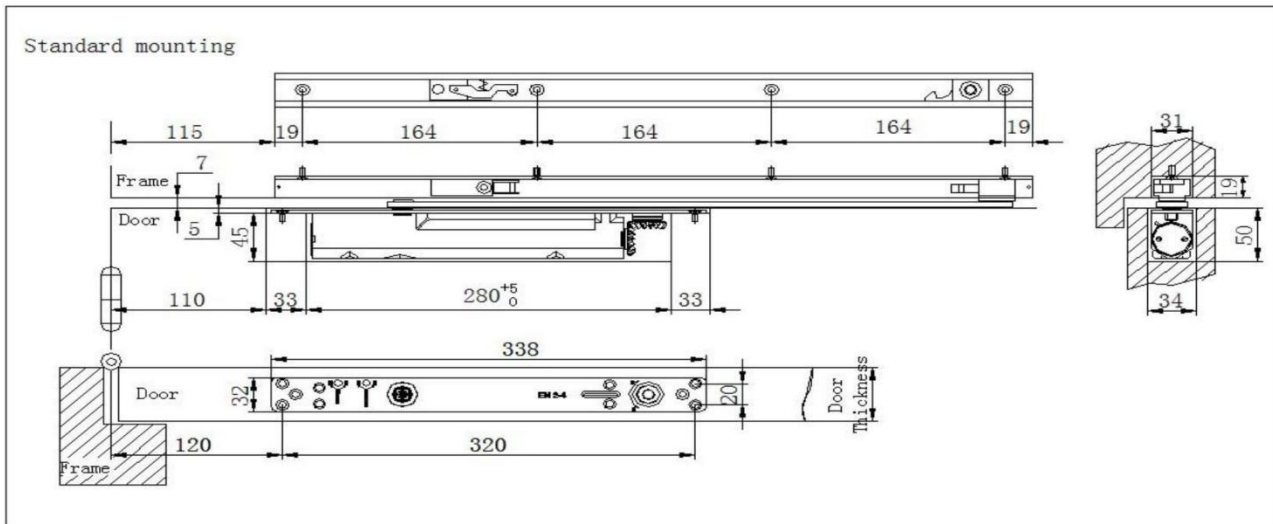
AVAILABLE INSTALLATION TYPE:



Model #	Spring power	Recommended Door Weight	Recommended Max. Door Leaf Width (mm)	Notes
D70A	2-4	20-100 KGS	850-1100 mm	Slide track arm

*In case of unusually high or heavy doors, windy or draughty conditions, or special installations, a large power size of door closer should be used.

PRODUCT DIMENSIONS:



*Rapid decrease in opening force makes doors easy to open, yet provides maximum closing force at the latch.

D70A can be inverted to install the closer body in the frame.Invisible when door is closed.