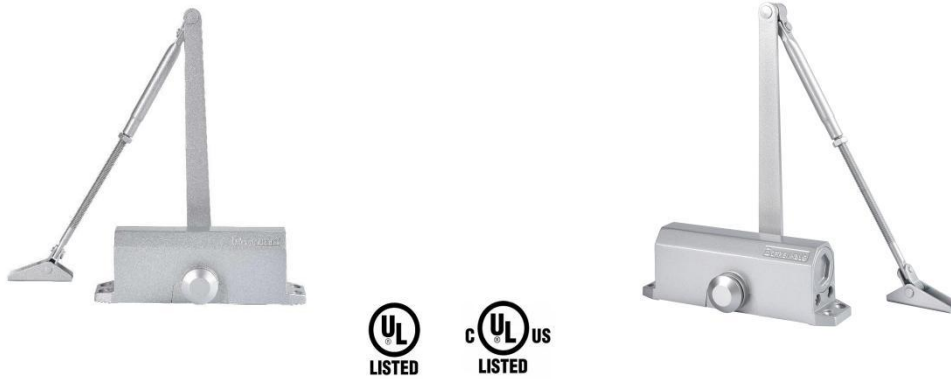


D500 SERIES EN2 to EN4 Overhead Door Closers

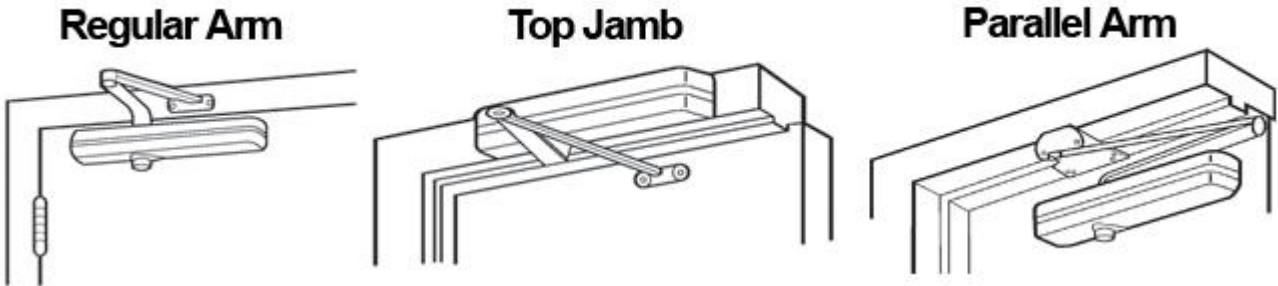


STANDARD FEATURES

- **Certification:** UL/C-UL Listed,UL10C 3 hours fire rating
- **Spring Power:** Fixed EN2-EN4
- **Durability:** 100,000 cycles above
- **Function:** Adjustable Closing speed
Adjustable Latching speed
- **Installation type:** Regular,Top Jamb,Parallel
- **Max. Opening:** 180 °
- **Arm Type:** Fixed or Detachable
- **Mechanism Type:** Rack&Pinion
- **Hand of door:** Non handed
- **Materials of Body:** Die-cast Aluminum
- **Max Door Width:** 1100mm
- **Max Door Weight:** 80Kgs
- **UL Listed:** CERTIFIRE Certificate NO.R27326
- **Backcheck:** NO
- **Delayed Action:** NO
- **Power Adjustment Method:** By using different templates
- **Fitting Application:** Regular,Top Jamb,Parallel
- **Body Construction:** Heat-treated pinion and steel piston
- **Finish:** Silver, Brown, White,Black, Others upon request.
- **Warranty:** 5 Years
- **Cross reference:** Falcon-SC90A

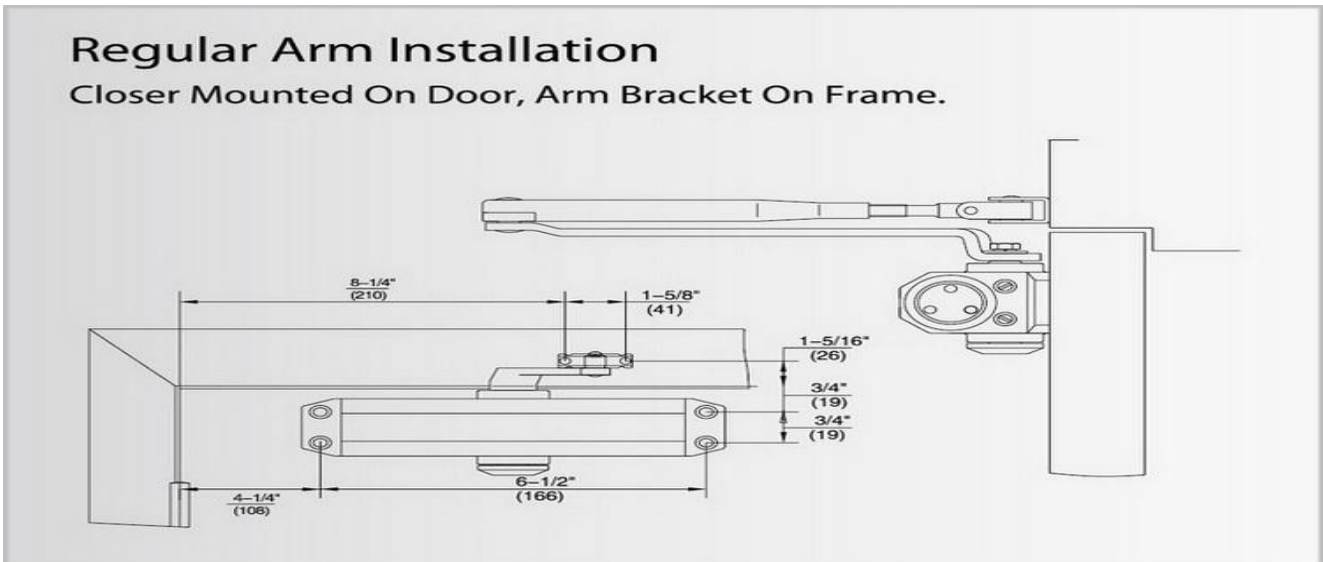
AVAILABLE INSTALLATION TYPE:

The 3 methods for installing over head door closers



Model #	Spring power	Recommended Door Weight	RecommendedMax. Door Leaf Width (mm)	Notes
D502	2#	20-45 KGS	850 mm	Dorma arm optional
D503	3#	40-65 KGS	950mm	Dorma arm optional
D504	4#	60-85 KGS	1100mm	Dorma arm optional

PRODUCT DIMENSIONS:



*Recommended for, but not limited to interior doors including:
 Aftermarket: Office doors, Utility doors, Storage doors
 Storefront: Retail/Outlet malls, Convenience stores, Warehouse doors