

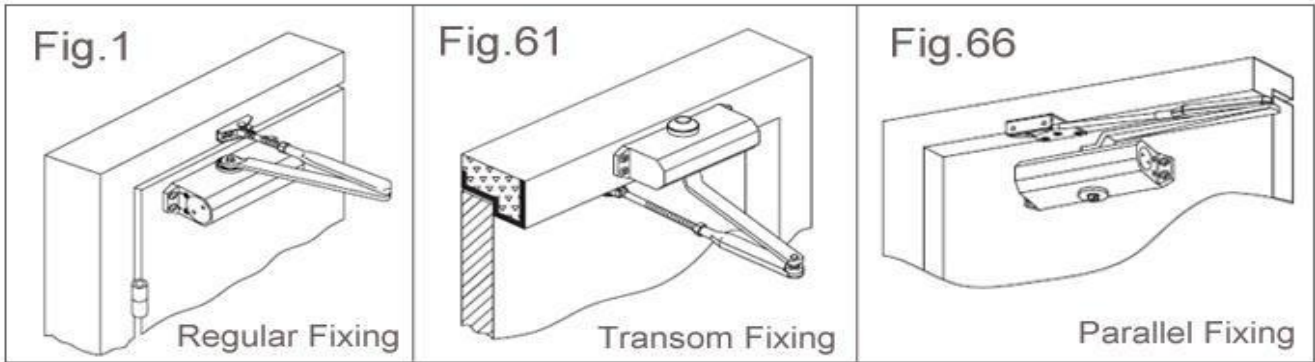
D500 SERIES **EN2 to EN4 Overhead Door Closers -CE Marked**



STANDARD FEATURES

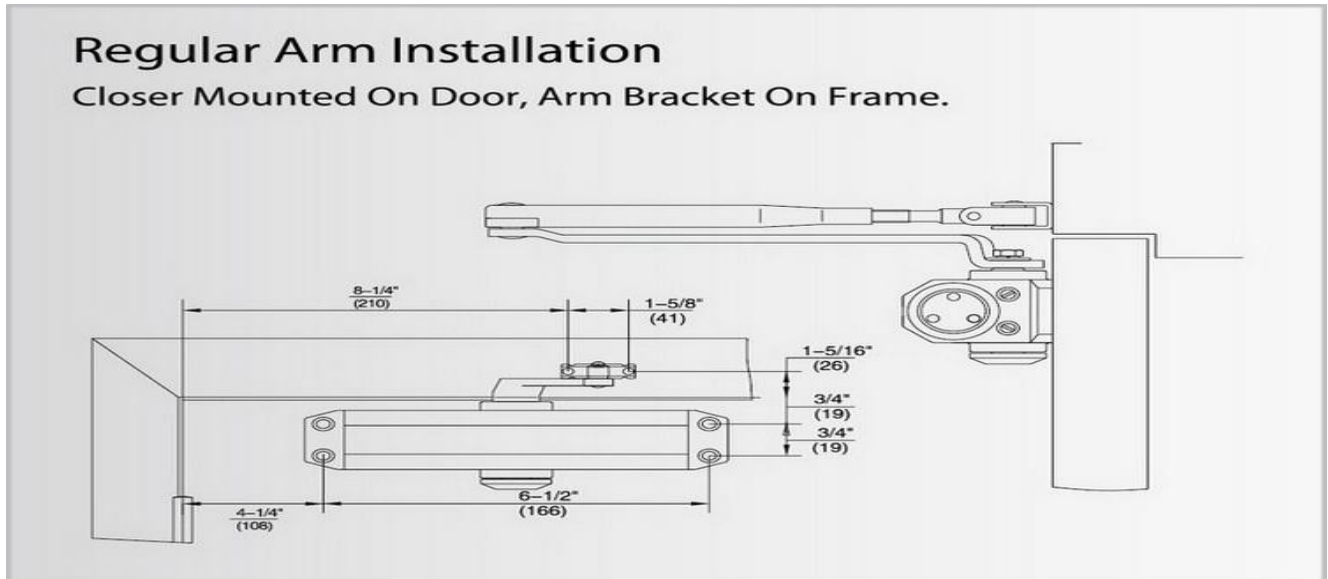
- **Certification:** CE Marked
- **Spring Power:** Fixed EN2-EN4
- **Durability:** 500,000 cycles above
- **Function:** Adjustable Closing speed
Adjustable Latching speed
- **Installation type:** Fig1, Fig66, Fig61
- **Max. Opening:** 180 °(Fig1, Fig66, Fig61)
- **Arm Type:** Fixed or Detachable
- **Mechanism Type:** Rack&Pinion
- **Hand of door:** Non handed
- **Materials of Body:** Die-cast Aluminum
- **Tested to EN1154:** Report NO.WIL433044
- **Tested to EN1634:** WF report NO.422554
- **CE Marked:** CERTIFIRE Certificate NO.CF5789
- **Backcheck:** NO
- **Delayed Action:** NO
- **Power Adjustment Method:** By using different templates
- **Fitting Application:** Fig1, Fig 66 & Fig61
- **Body Construction:** Heat-treated pinion and steel piston
- **Finish:** Silver, Brown, White, Black, Others upon request.
- **Warranty:** 5 Years
- **Cross reference** DORMA TS 77

AVAILABLE INSTALLATION TYPE:



Model #	Spring power	Recommended Door Weight	RecommendedMax. Door Leaf Width (mm)	Notes
D502	2#	20-45 KGS	850 mm	Dorma arm optional
D503	3#	40-65 KGS	950mm	Dorma arm optional
D504	4#	60-85 KGS	1100mm	Dorma arm optional

PRODUCT DIMENSIONS:



*Recommended for, but not limited to interior doors including:
 Aftermarket: Office doors, Utility doors, Storage doors
 Storefront: Retail/Outlet malls, Convenience stores, Warehouse doors